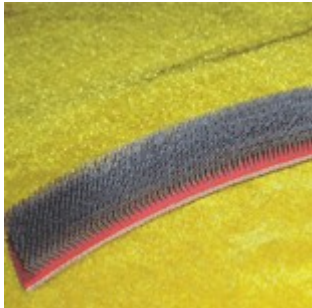


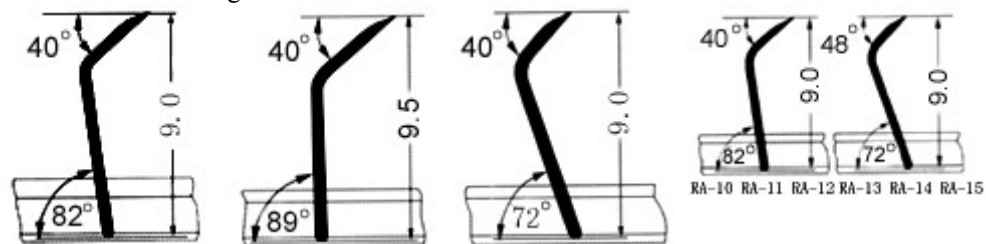
raising fillets(card clothing)

For example,such as RA-2-,see below RA-2



used ON DOUBLE ACTING NAPPING MACHINE MODEL MA473B-2000MM
27/31 X 22MM(width) X 122MM (length per ROLL)

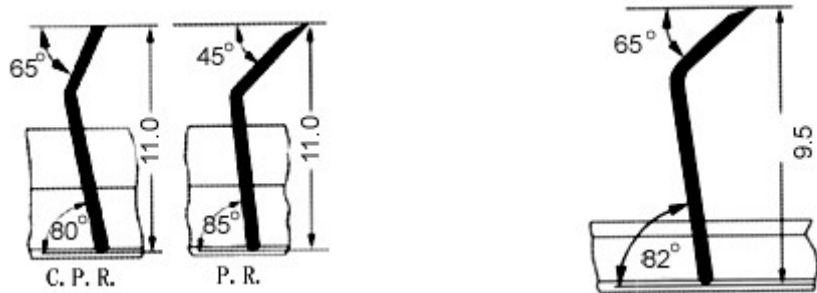
This product is adopted wire of style 72A. It is ideal materials for Import & Domestic Fluffing Machines with many advantages such as :the wire is high bending strength, the needle point is sharp for powerful, regular fluffing and long life, it makes the woolen blankets soft in feeling.



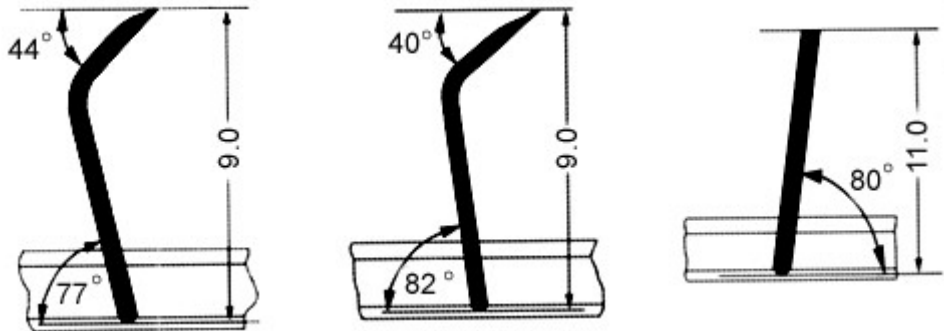
1# Fluffing Card Clothing RA-1,for	2# Fluffing Card Clothing RA-2,for	3# Fluffing Card Clothing RA-3,for	Intensive Processing Fluffing Card Clothing RA-10. 11, 12,
---------------------------------------	---------------------------------------	---------------------------------------	---

carpet, synthetic fabrics.	Card Napped fabrics, emulsion velvet.	Clothing cotton acrylic knitting fabrics.	Handwork acrylic knitting fabrics.	fabrics, emulsion fibre intensive processing.	13, 14, 15, for wool synthetic
----------------------------	---------------------------------------	---	------------------------------------	---	--------------------------------

Size				
Foundation	R3	R3	R3	R3
Range (of foundation)	23mm	23mm	23mm	23mm
size of thread	#27/31	#27/31	#28/32	#28/32
diameter of thread	0.430/0.330mm	0.430/0.330mm	0.405/0.305mm	0.405/0.305mm
number of the needle point	310/(25.4mm)2	310/(25.4mm)2	300/(25.4mm)2	350 370 390/(25.4mm)2
internal liner	Red	Red	Red	Red
total height	9.5mm	10.0mm	9.5mm	9.5mm



Loop Fluffing Card Clothing RA-22(C.P.R). RA-Tough cut velvet Fluffing Card 23(P.R.), for tricot loopy yarn. Clothing RA-85, for tricot cut velvet.



RF Fluffing Card Clothing RF-Sigma cut velvet Fluffing Knitting fabrics' frame needle 1. 2. 3. 11. 12. 21. 22. 31. Card Clothing RA-91, for RT-30. 32, for America Knitting 32, suede leather style intensive cotton, synthetic fibre blend Fabric Fluffing. processing. fabric.

F5	TV5	R3	TR3	R3
23mm	23mm	23mm	23mm	23mm
#33(C.P.R.). #31(P.R.)	No.2	No.2-No.4	#27/31	#30: #32
0.280(C.P.R.). 0.330(P.R.)	0.440/0.310mm	0.440/0.310-0.350/0.240mm	0.430/0.330mm	0.355:0.305mm

220/(25.4mm)2 (C.P.R.).280/ (25.4mm)2(P.R.)	250/(25.4mm)2	330 350 370/(25.4mm)2	310/(25.4mm)2	250270/ (25.4mm)2
white	Red	Red	Red	Red
11.5mm	10.0mm	9.5mm	9.5mm	11.5mm

Main products include all kinds of felt card clothing, raising fillets card clothing, cylinder doffer, stripping and burnish fillet, brushing card clothing etc. Custom-made clothing is also available according to clients' special request. Aiming to serve the new rising market better, we recently developed new series of stainless steel card clothing including stainless steel fluff, etc.. With the advantage of stainlessness, elasticity and long time using property, these new products can be used in various bad and humid conditions in stead of ordinary ones and broadly applied in woollen making, knitting artificial-leather making industry.

Felt Card Clothing Flexible Card Clothing For Cotton Raising Filets Special Card Clothing



